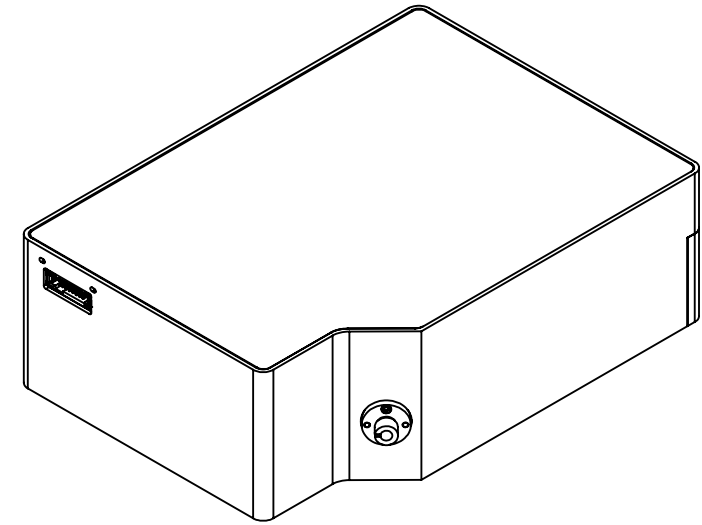
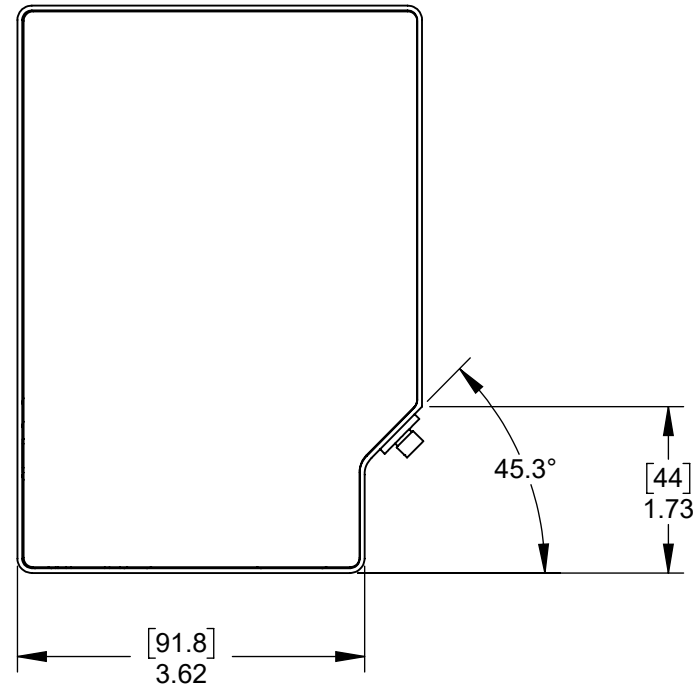


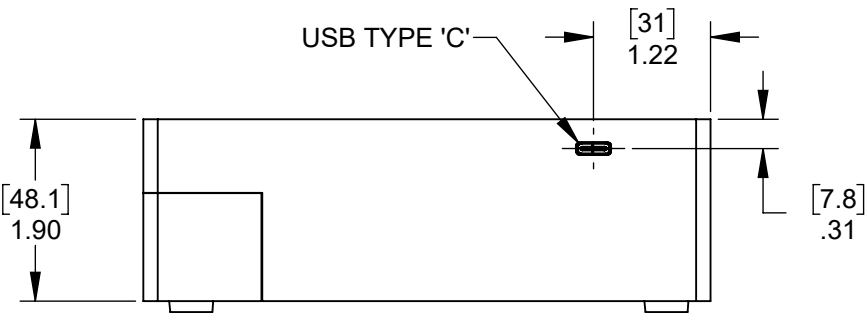
**GENERAL NOTES:
(UNLESS OTHERWISE SPECIFIED)**

1. ALL DIMENSIONS SUBJECT TO CHANGE WITHOUT NOTICE.

REVISIONS				
REV.	DESCRIPTION	ECN	DATE	BY
02	ADD DUAL DIMENSION [mm]	-	01/11/23	KRH

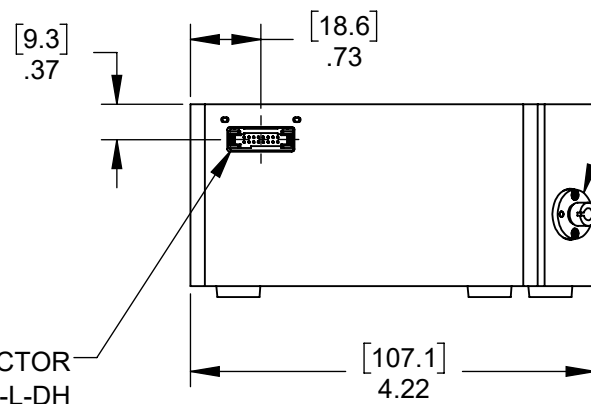


**ISOMETRIC VIEW
FOR REFERENCE ONLY**

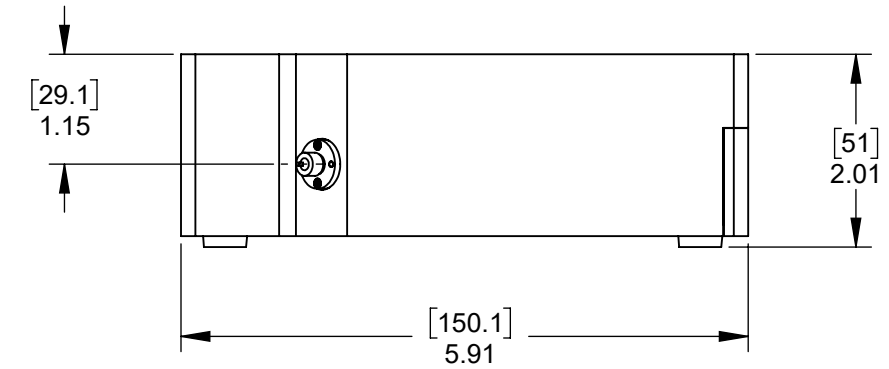


USB TYPE 'C'

SAMTEC CONNECTOR
TFM-108-02-L-DH



FIBER:
SMA STYLE
PLUG



<p>Ocean Insight</p> <p>3500 Quadrangle Blvd. Orlando, FL 32817 727 733 2447 www.oceaninsight.com</p> <p>PROPRIETARY AND CONFIDENTIAL</p> <p>THE INFORMATION CONTAINED IN THIS DRAWING IS THE SOLE PROPERTY OF OCEAN INSIGHT, INC.</p> <p>ANY REPRODUCTION IN PART OR AS A WHOLE WITHOUT THE WRITTEN PERMISSION OF OCEAN INSIGHT, INC. IS STRICTLY PROHIBITED.</p> <p>DO NOT SCALE DRAWING</p>	<p>- DIMENSIONS IN [MM] INCHES - UNLESS OTHERWISE NOTED</p> <p>.XX ±.01 .XXX ±.005 .XXXX ±.0005</p> <p>Angular ±0.5°</p>	<p>DATE: 10/14/2022</p> <p>NAME: LOUIS MILIMAN</p>	<p>TITLE: OCEAN HR SPECTROMETER ASSEMBLY</p>		
	<p>THIRD ANGLE PROJECTION</p>	<p>INTERPRET GEOMETRIC TOLERANCING PER: ASME Y14.5-2009</p>	<p>PART NO.</p>		
	<p>MATERIAL</p>	<p>COMMENTS:</p>	<p>SIZE: B</p>	<p>DWG. NO.: ocean-hr_cd</p>	<p>REV: A</p>
	<p>FINISH</p>	<p>SCALE: N/A</p>	<p>SHEET 1 OF 1</p>		